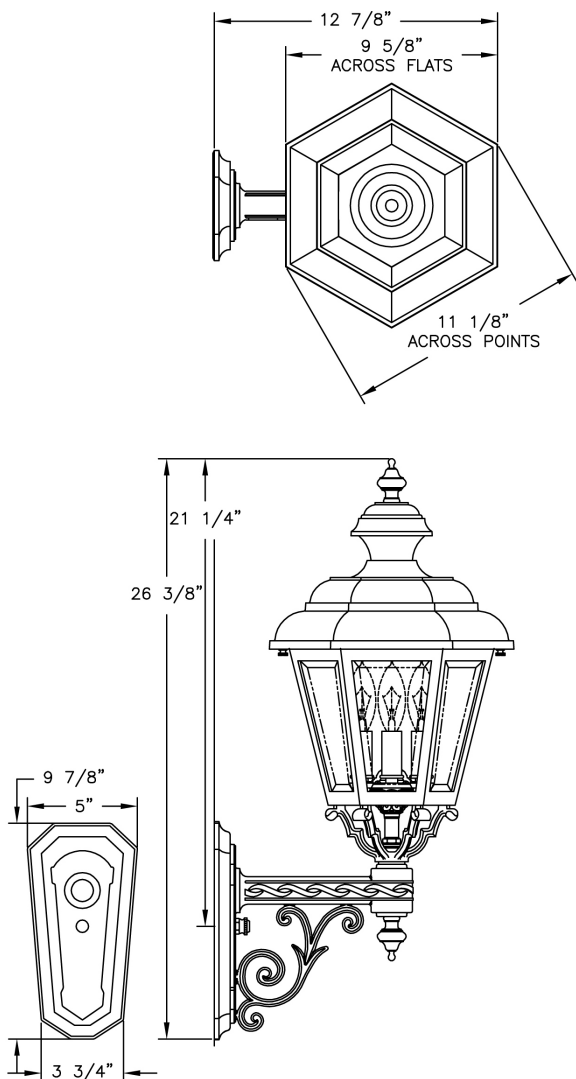


Medium Jamestown Wall Mount (B9370) Specification Sheet

Project Name:	Location:	MFG: Philips Lighting
Fixture Type:	Catalog No.:	Qty:



Ordering Guide

Example: B9370 ABS J C3

Product Code	B9370	Medium Jamestown Wall Mount
Finish	ABS ACP ARD ASI BLK BRN BRZ FGN GRA IRN RBZ SRT VBZ VCP VGN VTC WBZ WHT	Antique Brass Antique Copper Antique Red Antique Silver Black Brown Bronze Forest Green Granite Ironstone Rustic Bronze Shadow Rust Verde Bronze Verde Copper Verde Vintage Copper Weathered Bronze White
Panel/Globe	J G F K H L A B E D C P M Q	Clear Beveled Glass Clear Glass Frosted Glass Clear Seeded Glass Opalescent Honey Glass White Iridescent Clear Acrylic Opal Acrylic Clear Textured Acrylic Bronze Tone Acrylic Clear Seeded Acrylic Clear Polycarbonate Opal Polycarbonate Prismatic Polycarbonate
Lamping	C3 D	B1-3 light cluster Medium Base

Specifications

CONSTRUCTION:

Cast aluminum construction. Turned Aluminum knob & finial. Cast aluminum decorative scroll bracket arm and wallplate.

FINISH:

Resilient TGIC thermoset polyester powdercoat paint is electrostatically applied to every fixture. Specially formulated for Philips Outdoor Lighting, it provides UV protection, and the highest temperature rating in the industry. In addition to the standard color choices shown, a spectrum of custom colors is available.

PANELS/LENS/GLOBE:

See lenses for available options. Higher wattages may be used only with glass panels installed.

LAMPING:

B1-3 light candelabra (C3), 25W max per candelabra. Or medium base socket (D), 100W max. Lamp(s) not included. Higher wattages used only with glass panels.

Medium Jamestown Wall Mount (B9370) Specification Sheet

Project Name:	Location:	MFG: Philips Lighting
Fixture Type:	Catalog No.:	Qty:

ELECTRICAL ASSEMBLY:

3-light Candelabra cluster with painted aluminum sleeves. Porcelain medium base socket with painted aluminum cover. Fixture is pre-wired with 18 AWG black, white, and ground wires. Lantern will be prewired and tested. All electrical components are ETL listed.

MOUNTING:

Mounting Hardware is supplied. See template for dimensions & mounting instructions.

WARRANTY:

Lifetime limited warranty.

CERTIFICATIONS:

ETL Listed to U.S. safety standards for wet locations. cETL Listed to Canadian safety standards for wet locations.

Height:

26 3/8"

Width:

11 1/8"

Projection:

12 7/8"

Top to Outlet:

21 1/4"

Max. Weight:

13 lb.